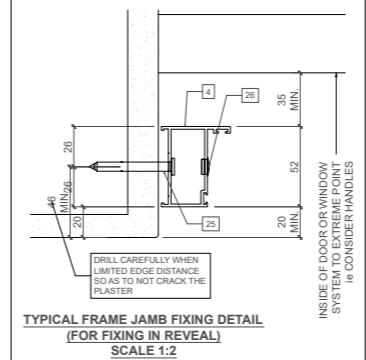
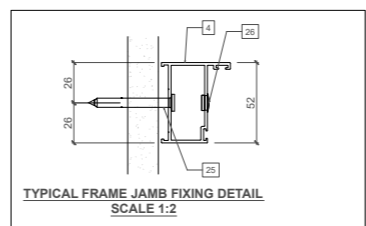
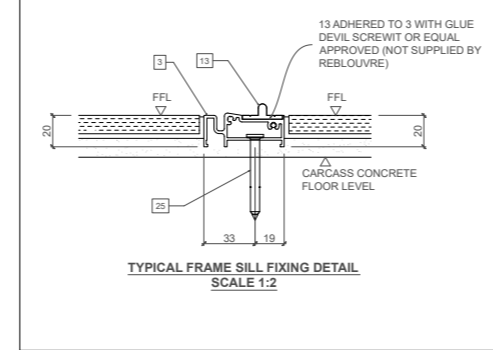
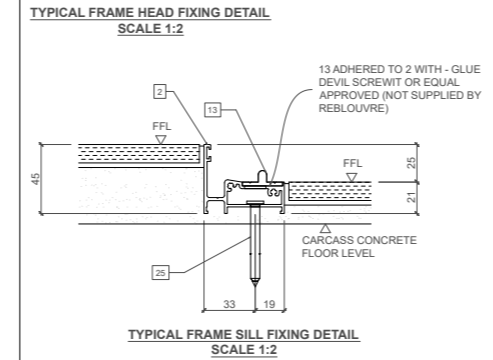
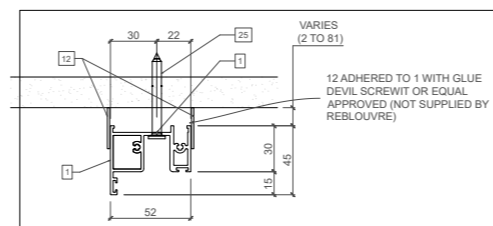
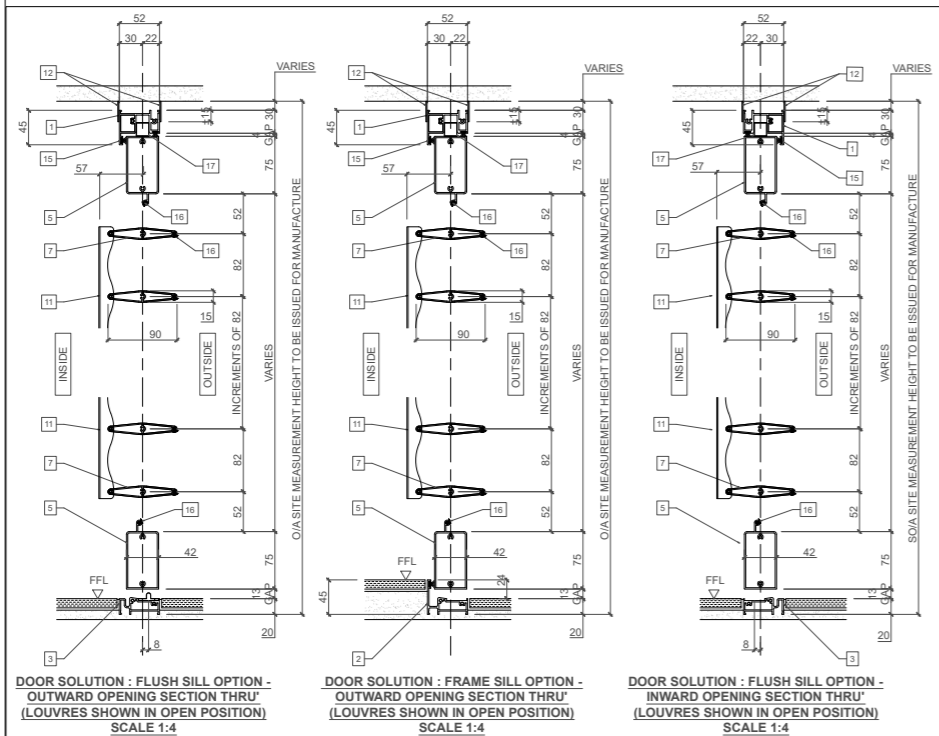
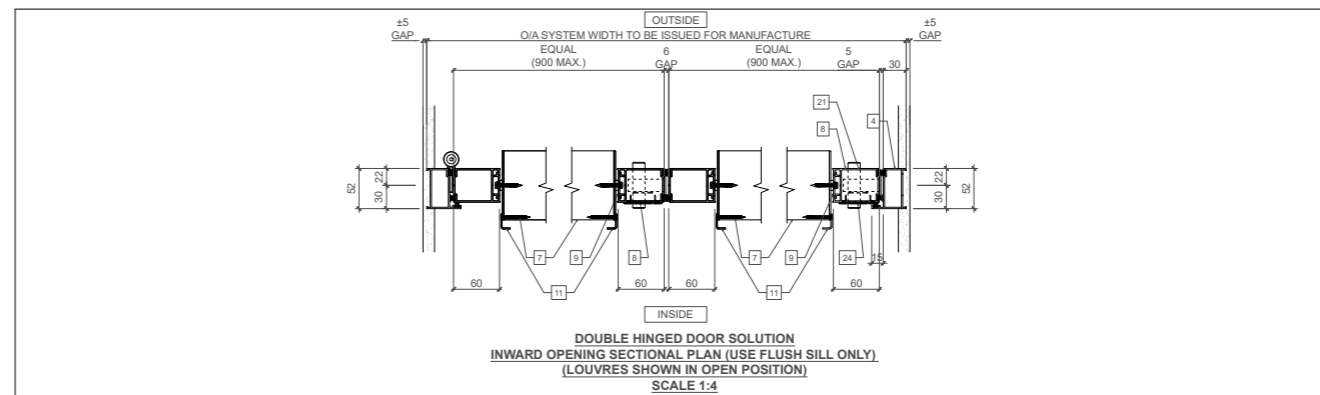
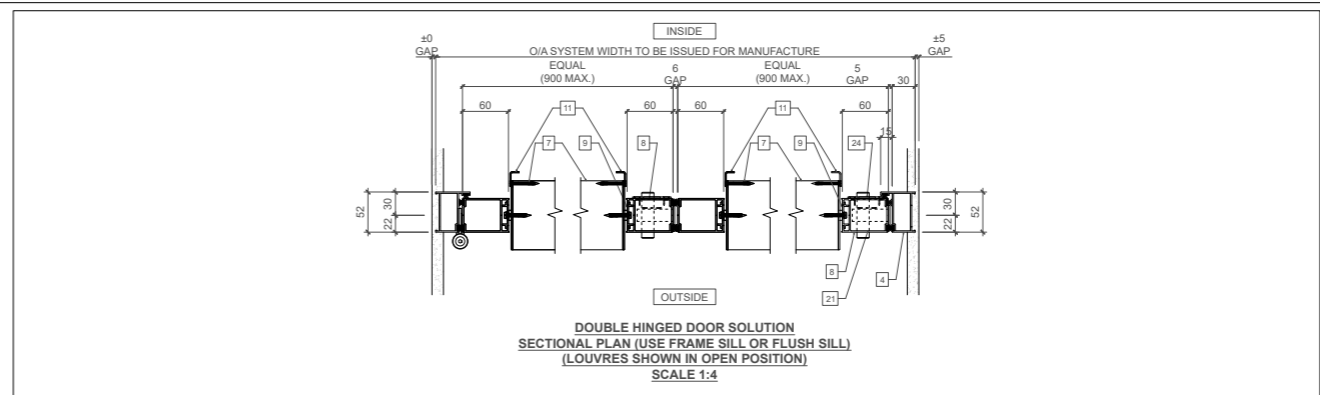


- LEGEND**
1. FRAME HEAD (TO COLOUR)
 2. FRAME SILL (TO COLOUR)
 3. FRAME FLUSH SILL (TO COLOUR)
 4. FRAME JAMB (TO COLOUR)
 5. SASH TOP & BOTTOM RAIL (TO COLOUR)
 6. SASH MID RAIL (TO COLOUR)
 7. ADJUSTABLE LOUVRE (TO COLOUR)
 8. SASH STILE (TO COLOUR)
 9. SASH STILE ADAPTOR (TO COLOUR)
 10. LOUVRE END INSERT (WHITE OR BLACK)
 11. CONTROL ARM (TO COLOUR)
 12. HEAD FLASHING - 1.6mm THICK (TO COLOUR)
 13. FLOOR TRACK (NATURAL ANODIZED)
 14. FLOOR FLAT
 15. WOOLPILE (GREY) - 6.7X6mm
 16. SOLID GASKET (BLACK)
 17. TOP GUIDE (WHITE OR BLACK)
 18. BOTTOM ROLLER (WHITE OR BLACK)
 19. INTERMEDIATE HINGE (WHITE OR BLACK)
 20. INTERMEDIATE HANDLE HINGE (WHITE OR BLACK)
 21. 35mm BACKSET HOOKLOCK
 22. EURO PROFILE CYLINDER
 23. DOUBLE ACTION FLUSHBOLT (WHITE OR BLACK)
 24. FLUSH PULL HANDLE (WHITE OR BLACK)
 25. 50 HILTI IMPACT ANCHOR HPS-1 5/15x35 (OR SIMILAR) @ ±750mm CENTRES (FIXING NOT SUPPLIED BY REBLOUVRE)
 26. PANEL PLUG (WHITE OR BLACK)

- STANDARD METAL COLOURS**
ALL D1025 SERIES (CLASS 1) AKZO NOBEL PRODUCTS
1. WHITE - CODE LA010P; GLOSS SMOOTH
 2. TRAFFIC WHITE - CODE LA216P; MATT SMOOTH
 3. NEW SILVER - CODE LX202P; MATT SMOOTH
 4. STONE GREY - CODE LL230P; MATT SMOOTH
 5. CHARCOAL - CODE LL258P; MATT SMOOTH
 6. BRONZE - CODE LX201P; MATT SMOOTH
- ALL NON-STANDARD COLOURS CAN BE SUPPLIED SUBJECT TO PRICING ON REQUEST.



Corrosion Protection			
Item	Description	Min DFT	
-	-	-	
-	-	-	
-	-	-	
-	-	-	
-	-	-	
-	-	-	
-	-	-	
Drawing Revision Register			
Rev	Date	Description	Drawn
-	-	-	-
-	-	-	-
-	-	-	-
-	-	-	-
Client Name		6 Kinsman Road New Germany, 3610 PO Box 365, Kfoof, 3640	
Project Name		Hinged System Details (alternative system with midrail)	
Drawing Description		Hinged System Details (alternative system with midrail)	
Drawing Format		A1	
Date	19.08.2024	Drawn by	KN
Contract	-	Drawing no.	RL006
Rev.	-		