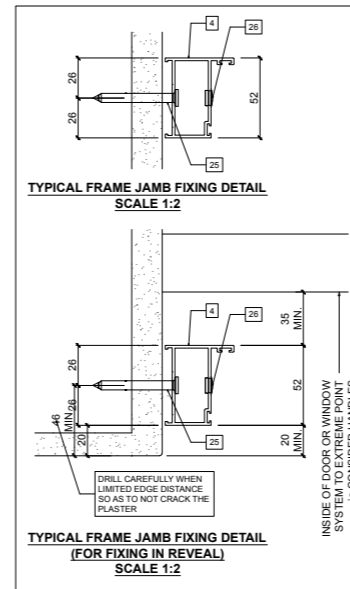
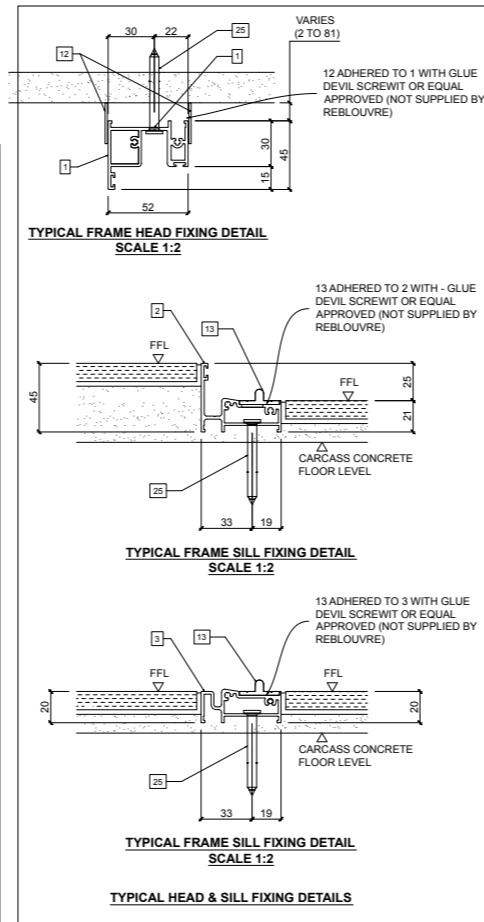
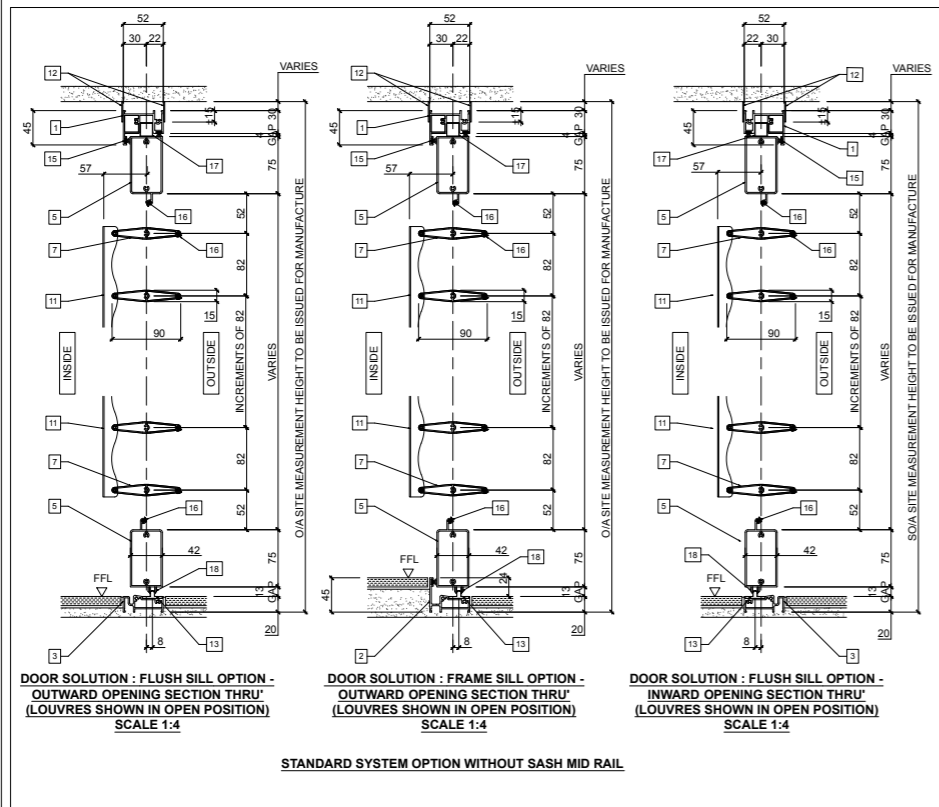


- LEGEND**
1. FRAME HEAD (TO COLOUR)
  2. FRAME SILL (TO COLOUR)
  3. FRAME FLUSH SILL (TO COLOUR)
  4. FRAME JAMB (TO COLOUR)
  5. SASH TOP & BOTTOM RAIL (TO COLOUR)
  6. SASH MID RAIL (TO COLOUR)
  7. ADJUSTABLE LOUVRE (TO COLOUR)
  8. SASH STILE (TO COLOUR)
  9. SASH STILE ADAPTOR (TO COLOUR)
  10. LOUVRE END INSERT (WHITE OR BLACK)
  11. CONTROL ARM (TO COLOUR)
  12. HEAD FLASHING - 1.6mm THICK (TO COLOUR)
  13. FLOOR TRACK (NATURAL ANODIZED)
  14. FLOOR FLAT
  15. WOOLPILE (GREY) - 6.7x6mm
  16. SOLID GASKET (BLACK)
  17. TOP GUIDE (WHITE OR BLACK)
  18. BOTTOM ROLLER (WHITE OR BLACK)
  19. INTERMEDIATE HINGE (WHITE OR BLACK)
  20. INTERMEDIATE HANDLE HINGE (WHITE OR BLACK)
  21. 35mm BACKSET HOOKLOCK
  22. EURO PROFILE CYLINDER
  23. DOUBLE ACTION FLUSHBOLT (WHITE OR BLACK)
  24. FLUSH PULL HANDLE (WHITE OR BLACK)
  25. 50 HILTI IMPACT ANCHOR HPS-1.5/15x35 (OR SIMILAR) @ 275mm CENTRES (FIXING NOT SUPPLIED BY REBLOUVRE)
  26. PANEL PLUG (WHITE OR BLACK)

- STANDARD METAL COLOURS**  
ALL D1025 SERIES (CLASS 1) AKZO NOBEL PRODUCTS
1. WHITE - CODE LA010P; GLOSS SMOOTH
  2. TRAFFIC WHITE - CODE LA216P; MATT SMOOTH
  3. NEW SILVER - CODE LX202P; MATT SMOOTH
  4. STONE GREY - CODE LL203P; MATT SMOOTH
  5. CHARCOAL - CODE LL258P; MATT SMOOTH
  6. BRONZE - CODE LX201P; MATT SMOOTH
- ALL NON-STANDARD COLOURS CAN BE SUPPLIED SUBJECT TO PRICING ON REQUEST.



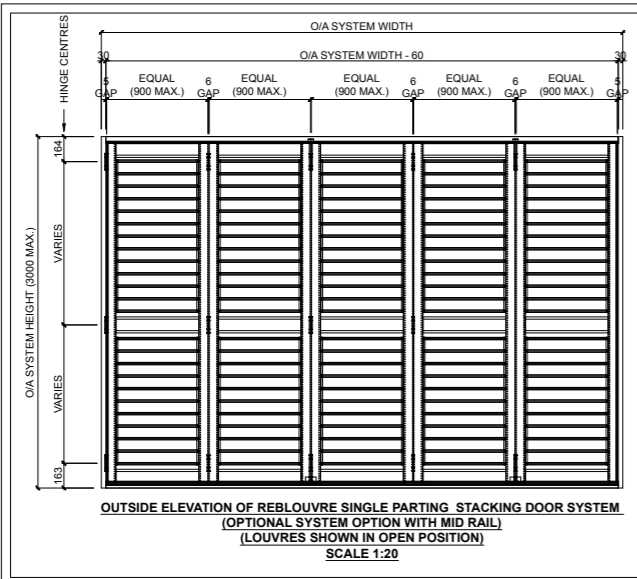
Corrosion Protection		
Item	Description	Min DFT
-	-	-
-	-	-
-	-	-
-	-	-
-	-	-
-	-	-

Drawing Revision Register			
Rev	Date	Description	Drawn
-	-	-	-
-	-	-	-
-	-	-	-
-	-	-	-

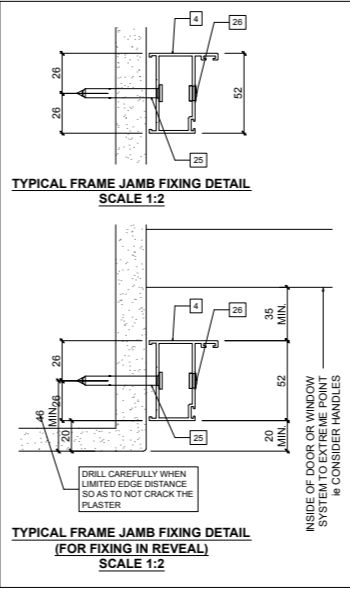
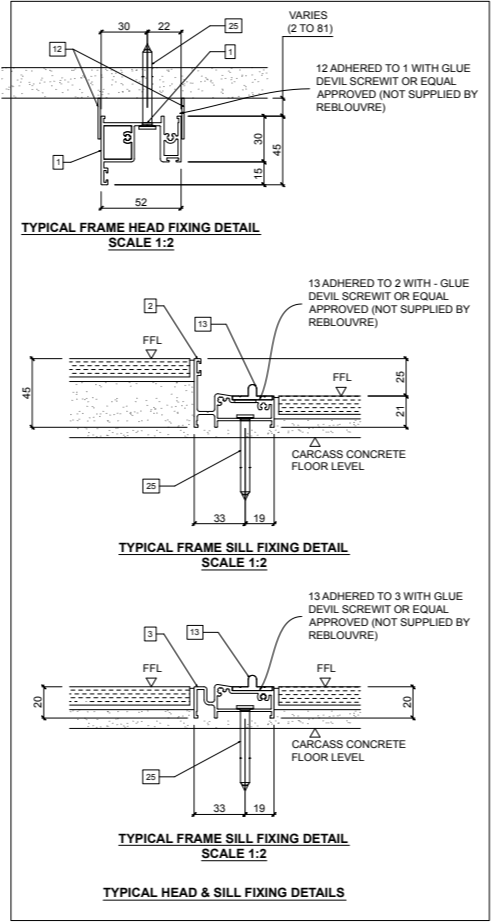
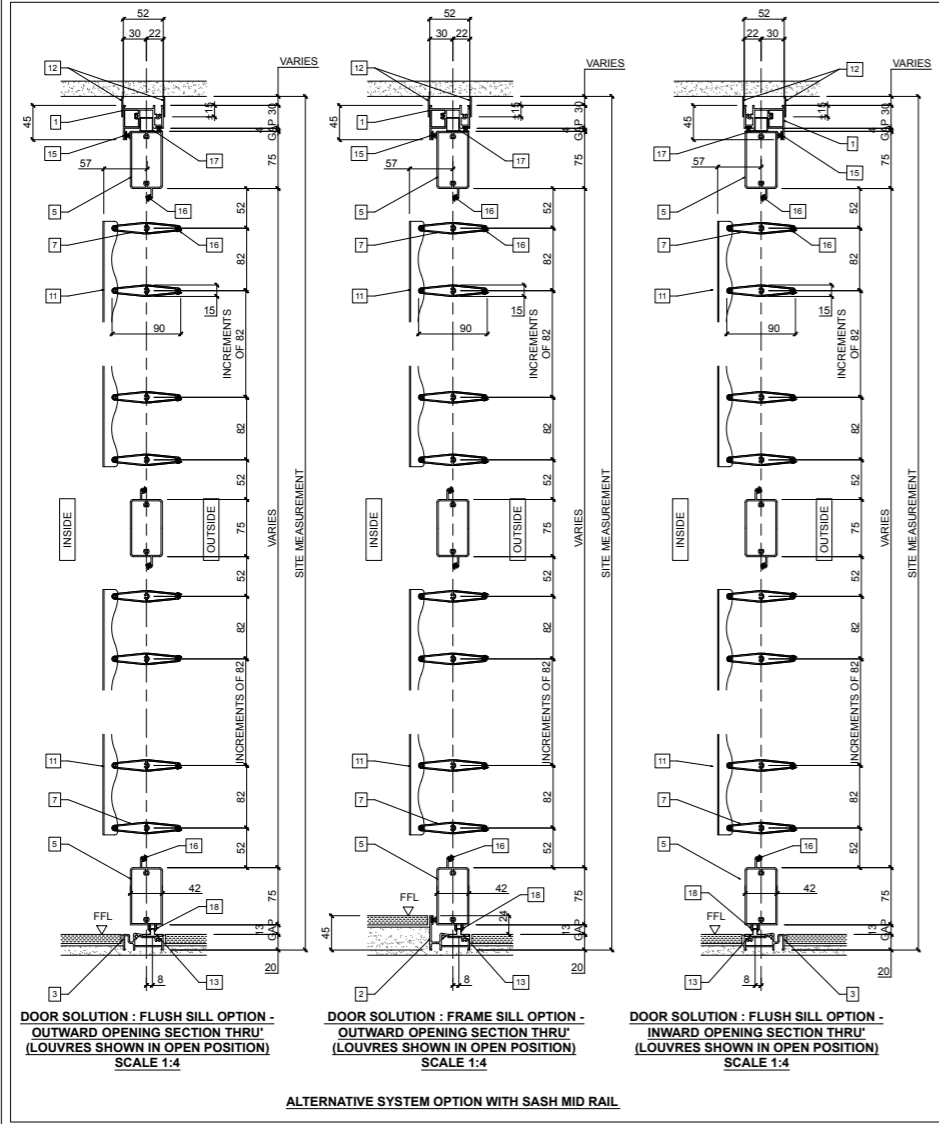
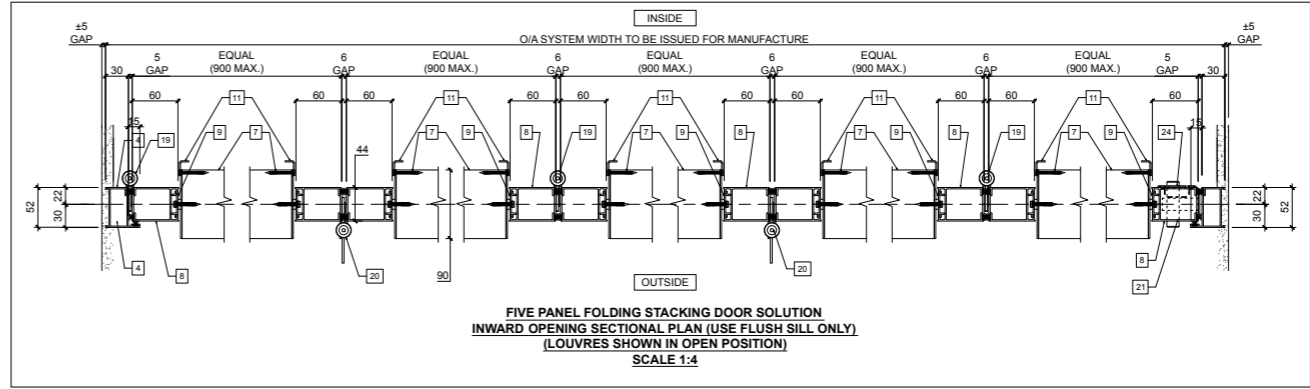
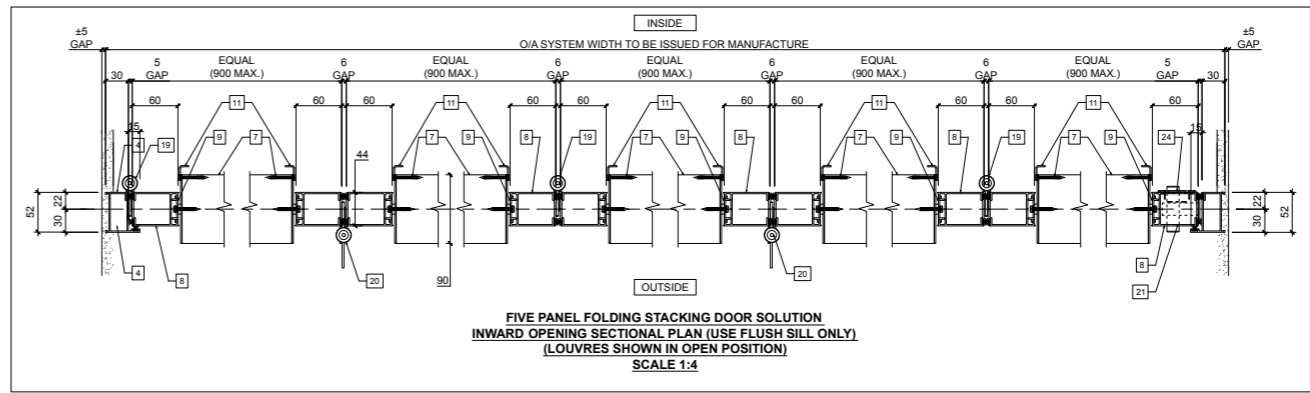
  

<p>rebLOUVRE Aluminium adjustable louvre systems</p>	6 Kinsman Road New Germany, 3610 PO Box 365, Kloof, 3640
	Tel : +27 31 7055851 Fax : +27 31 7055855 Website : www.reblouvre.com Email : info@reblouvre.com
Client Name	-
Project Name	-
Drawing Description	Reblouvre Folding Stacking System Details (standard system without midrail)
Drawing Format	A1
Date	28.02.2023
Contract	-
Drawing no.	RL001
Rev.	-



- LEGEND**
1. FRAME HEAD (TO COLOUR)
  2. FRAME SILL (TO COLOUR)
  3. FRAME FLUSH SILL (TO COLOUR)
  4. FRAME JAMB (TO COLOUR)
  5. SASH TOP & BOTTOM RAIL (TO COLOUR)
  6. SASH MID RAIL (TO COLOUR)
  7. ADJUSTABLE LOUVRE (TO COLOUR)
  8. SASH STILE (TO COLOUR)
  9. SASH STILE ADAPTOR (TO COLOUR)
  10. LOUVRE END INSERT (WHITE OR BLACK)
  11. CONTROL ARM (TO COLOUR)
  12. HEAD FLASHING - 1.6mm THICK (TO COLOUR)
  13. FLOOR TRACK (NATURAL ANODIZED)
  14. FLOOR FLAT
  15. WOOLPILE (GREY) - 6.7x8mm
  16. SOLID GASKET (BLACK)
  17. TOP GUIDE (WHITE OR BLACK)
  18. BOTTOM ROLLER (WHITE OR BLACK)
  19. INTERMEDIATE HINGE (WHITE OR BLACK)
  20. INTERMEDIATE HANDLE HINGE (WHITE OR BLACK)
  21. 35mm BACKSET HOOKLOCK
  22. EURO PROFILE CYLINDER
  23. DOUBLE ACTION FLUSHBOLT (WHITE OR BLACK)
  24. FLUSH PULL HANDLE (WHITE OR BLACK)
  25. 50 HILTI IMPACT ANCHOR HPS-1 5/15x35 (OR SIMILAR) @ 750mm CENTRES (FIXING NOT SUPPLIED BY REBLOUVRE)
  26. PANEL PLUG (WHITE OR BLACK)

- STANDARD METAL COLOURS**  
ALL D1025 SERIES (CLASS 1) AKZO NOBEL PRODUCTS
1. WHITE - CODE LA10P, GLOSS SMOOTH
  2. TRAFFIC WHITE - CODE LA21P, MATT SMOOTH
  3. NEW SILVER - CODE LX20P, MATT SMOOTH
  4. STONE GREY - CODE LL23P, MATT SMOOTH
  5. CHARCOAL - CODE LL25P, MATT SMOOTH
  6. BRONZE - CODE LX20P, MATT SMOOTH
- ALL NON-STANDARD COLOURS CAN BE SUPPLIED SUBJECT TO PRICING ON REQUEST.



Corrosion Protection		
Item	Description	Min DFT
-	-	-
-	-	-
-	-	-
-	-	-
-	-	-
-	-	-

Drawing Revision Register			
Rev	Date	Description	Drawn
-	-	-	-
-	-	-	-
-	-	-	-
-	-	-	-

<p><b>rebLOUVRE</b> Aluminium adjustable louvre systems</p>	6 Kinsman Road New Germany, 3610 PO Box 365, Kloof, 3640 Tel: +27 31 7055851 Fax: +27 31 7055855 Website: www.reblouvre.com Email: info@reblouvre.com
	Client Name: _____ Project Name: _____ Drawing Description: Reblouvre Folding Stacking System Details (alternative system with midrail) Drawing Format: A1 Date: 28.02.2023 Contract: _____ Drawing no. RL002 Drawn by WRB Rev. -